



Rescue Genius

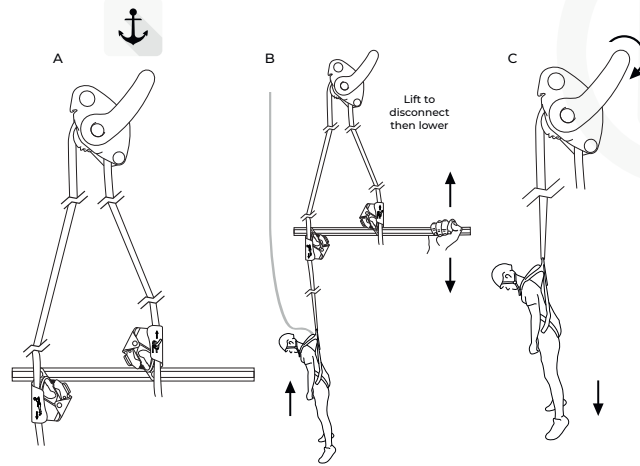
Ø 8 - 13mm



RG50

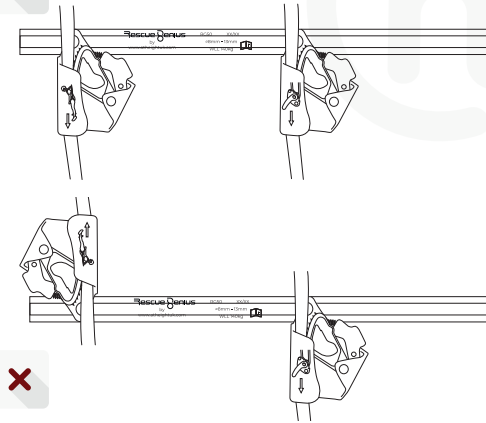
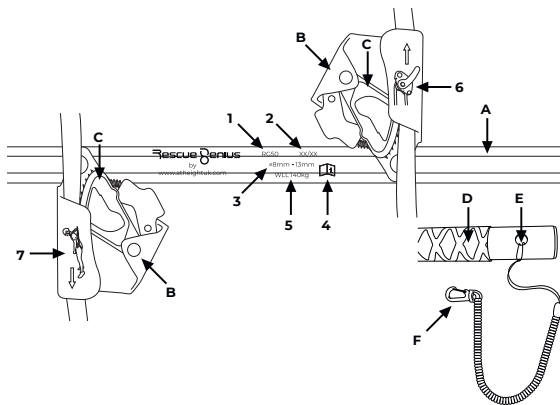
XX/YY

WLL 140kg



**Installation/Use**

- A After correctly installing your short-lift, long-lower kit, ensure there is no slack system then fit the Rescue Genius as shown.
- B Operate the Lever Handle to raise casualty enough that his fall arrest device can be disconnected. Alternatively, if it is practical, the casualty can be lifted all the way up to the safe platform.
- C Remove the Rescue Genius and using the descender device, lower the casualty to a safe place.



**Markings/Labeling and Nomenclature**

- 1 Part Code = RG50
- 2 XX/YY = Batch Code/Year of Manufacture
- 3 Range Range = 8mm - 13mm
- 4 Ø = Read Instructions for Use
- 5 WLL = Working Load Limit is 140kg
- 6 Points Towards Descender Device
- 7 Points Towards Casualty
- A Lever Handle
- B Jammer
- C Cam
- D Handle Grip
- E Hole for anti-drop attachment
- F Anti-drop tether

**Product Details**

These instructions cover the use of At Height Ltd Rescue Genius. This equipment may be used in conjunction with any appropriate item of Personal Protective Equipment (PPE) relevant to European Union Directive 2016/425. They may be acceptable for use in other applications, if in doubt please consult At Height Ltd.

**WARNING!**

Working at height and related activities are inherently dangerous. It is the responsibility of any person using this equipment to learn, understand and practice the proper techniques for use of the equipment for its designated purposes. It is impossible for this document to cover every eventuality and incorrect use of this equipment may result in fatal consequences. This equipment should only be used by the user and others specifically trained in its use. This equipment should not be used by persons with medical conditions that may affect the safety of the user.

You are responsible for your own actions and any person using this equipment assumes all risks and full responsibility for all damages or injury which may result from the use of it.

If this product is resold outside the original country of destination the reseller should provide these instructions for use in the language of the country in which the product is sold.

**General Use**

This RG50 is a tool for creating mechanical advantage without the need for pulleys. It is used as an integral part of a rescue system sometimes described as a 'short-lift, long-lower' system. This rescue system would also incorporate an appropriate Descender and rope of a suitable length.

The RG50 can also be used for tensioning ropes for example a high line or speed line. Test show that it is possible to achieve up to 300kg of line tension in such a system. DO NOT ARTIFICIALLY INCREASE THE LEVERAGE -THIS COULD CAUSE THE LEVER HANDLE TO BREAK.

The descender acts as both a progress capture device and a lowering device. The type of descender used has an effect on the efficiency of the lifting system. Tests show that the RG50 offers an average mechanical advantage of between 3:1 and 4:1 depending on the descender used. Please contact us for more information.

**Inspection**

The whole device should be checked by visual inspection on a regular basis (in line with the PPE Regs or more frequently if local regulations require it) noting in particular the condition of the Jammers and cams to make sure there is no damage or corrosion and that each moves smoothly but there is no excessive sideways movement; ensure the handle is not bent which could indicate overloading and ensure that all marked text is legible. All thorough examinations should be recorded on an equipment record card.

**Maintenance, Cleaning and Storage**

The device should be cleaned regularly with clean water and/or a mild detergent. Dry away from heat in a well-ventilated area. Store in a clean dry environment free from chemicals, corrosive substances, UV and high humidity. Care should be taken to protect the product against damage during transit.

The lifetime of this product is potentially indefinite depending on manner of use and storage.

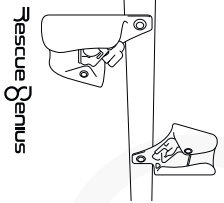
No alterations should be made to this product.



at height uk  
www.atheightuk.com  
info@atheightuk.com



Rescue Genius  
RG50



Manufactured & Supplied by  
www.atheightuk.com