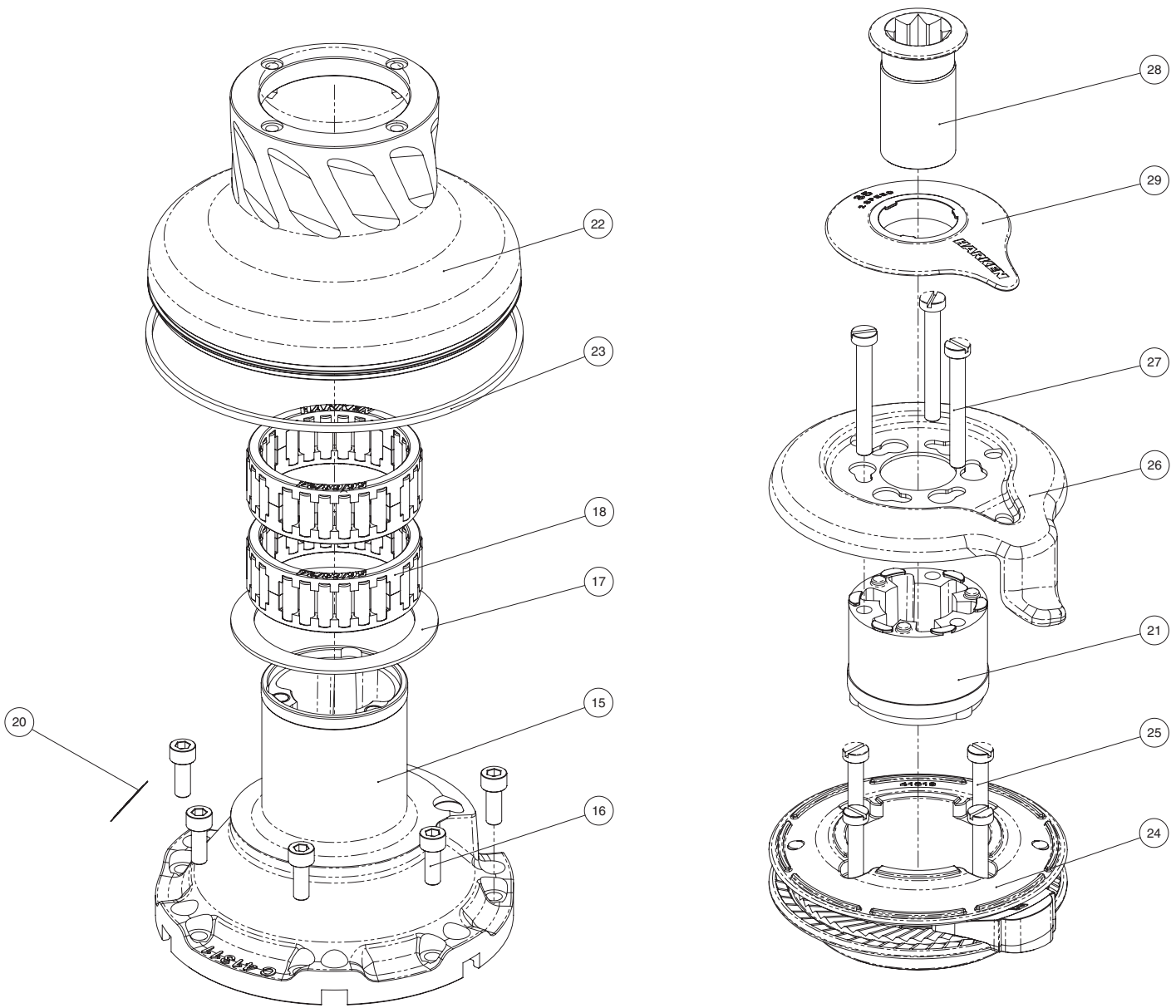
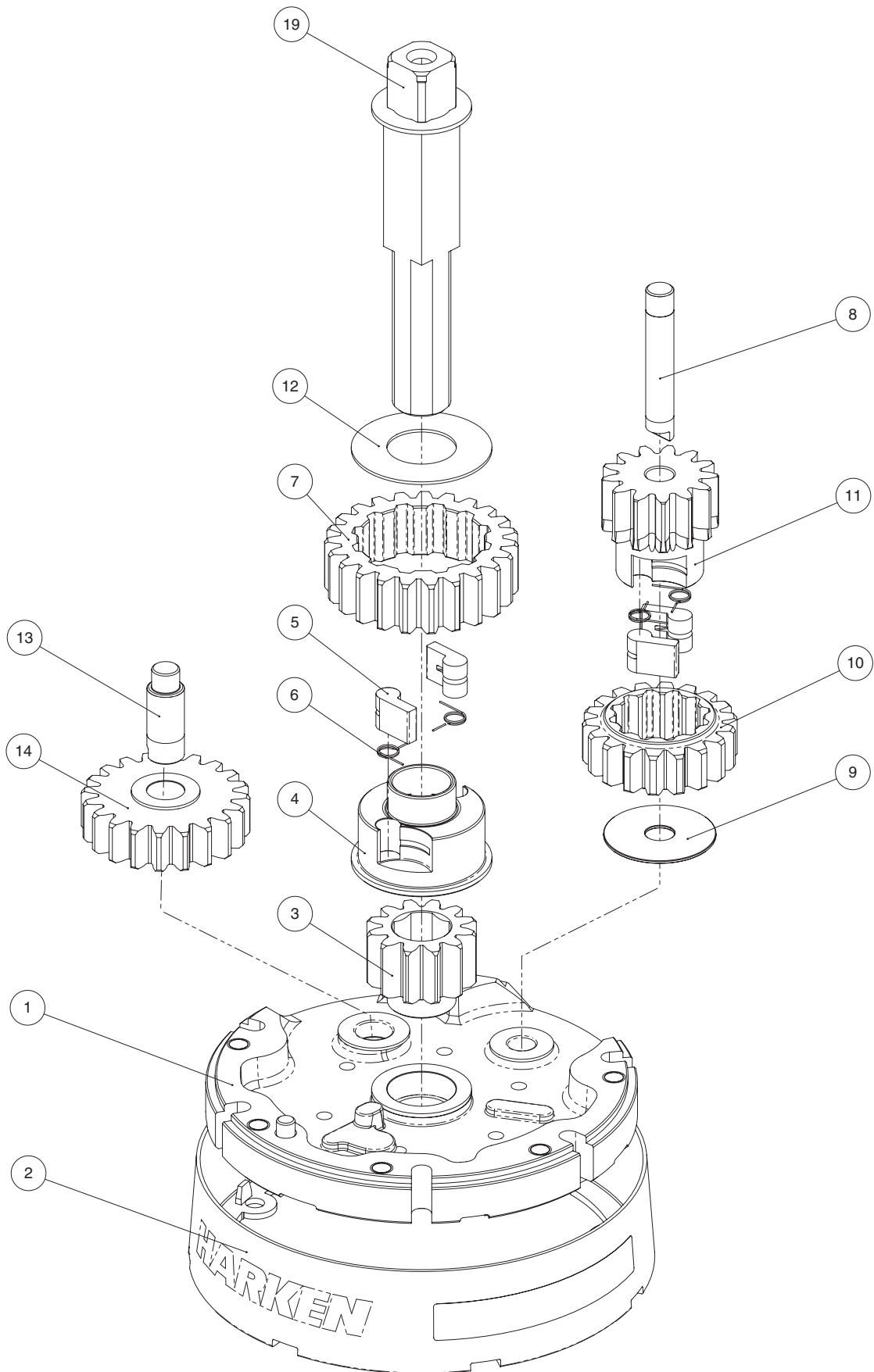


Exploded view

Radial Winch 35.2 STA, STC, STCW



Radial Winch 35.2 STA, STC, STCW

Parts List

Radial Winch 35.2 STA

A= drum in anodised aluminium

Pos.	Q.ty	Code	Description	Pos.	Q.ty	Code	Description
1	1	A94131000	Assy Base Winch 35 Base W35 Heli-coil M6x9	16	6	M0635103	Socket head screw M6x16 UNI 5931
	1	S413350080	Roller Ø6x19	17	1	S413150082	Washer Ø62xØ80x1.5
	1	S4152300A7	Bushing Ø22xØ25x9.5	18	2	A74136000	Bearing Ø56xØ68x24
	1	S413960085	Bushing Ø9xØ11x12	19	1	A94139000	Assy Central Shaft W35/40 Central shaft W35/40 ST
	1	S413330085	Bushing Ø12xØ14x11		1	S413880002	Washer Ø17.2xØ32x1.5
2	1	A94131400	Assy Skirt W35 Skirt W35 Winch Product Sticker**	20			Winch Serial Number Sticker
3	1	S413020004	Gear Z12	21	1	S4129400A0	Stripper arm support
4	1	S413030004	Pawls Carrier Ø8xN2	22	1	S413160053	Drum W35
5	4	S000080003	Pawl Ø8*	23	1	S281680097	Red line
6	4	S000380001	Pawl Spring Ø8*	24	1	A94131800	Assy Jaws Winch 35 Lower Jaw W35/40 Upper Jaw W35/40
7	1	S412830041	Gear Z23		1	S413610080	Peeler W20 - 40
8	1	S413000004	Pin Ø9x55		4	S385970001	SPRING
9	1	S279090002	Washer Ø36xØ9,5x1	25	4	M0601803	Screw UNI EN ISO 1207:1996 - M6x35 - A4
10	1	S415650004	Ratchet Gear Z18	26	1	S414200019	Stripper Arm W35/40
11	1	S412850041	Pinion Z13	27	3	M6007103	Screw M6x50 UNI6107
12	1	S413120002	Washer Ø22.5xØ45x1	28	1	A94136400	Assy Socket W20-80 Socket Handle W20/80
13	1	S413070004	Pin Ø9-Ø12x32.5		1	S415130085	Washer Ø7.7xØ25x5.8
14	1	A94130500	Assy Gear Z20 Gear Z20		1	M0614303	Screw M8x20 UNI 6109
	2	S414900080	Bushing Ø12xØ14x8	29	1	S4129500A5	Cover 2 speed W35
15	1	A94131100	Assy Housing Winch 35 Housing Winch 35				
	2	S414890080	Bushing Ø9xØ11x7				
	1	S4130900A7	Heli-coil M6x9 Bushing Ø22xØ25x8.5				

*Available with service kit; see website www.harken.com

**Winch product sticker

